

microKORG

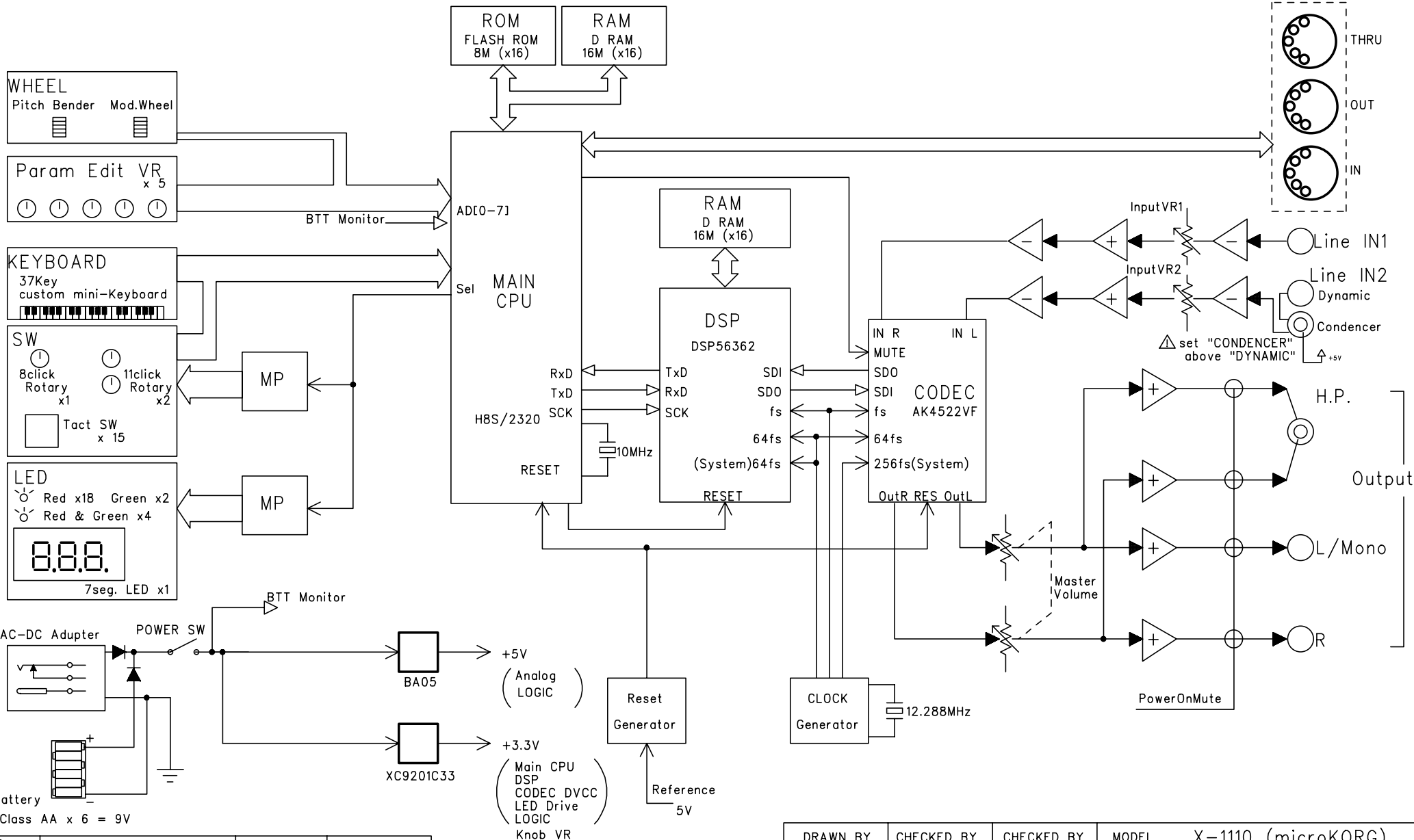
CONTENTS

- 1) Block Diagram: Page 2-4
- 2) Circuit Diagram: Page 5-10
- 3) Test Mode: Page 11
- 4) Parts List: Page 12-13

1st Edition

Issued date: November 22nd, 2002

Issued by: KORG INC.

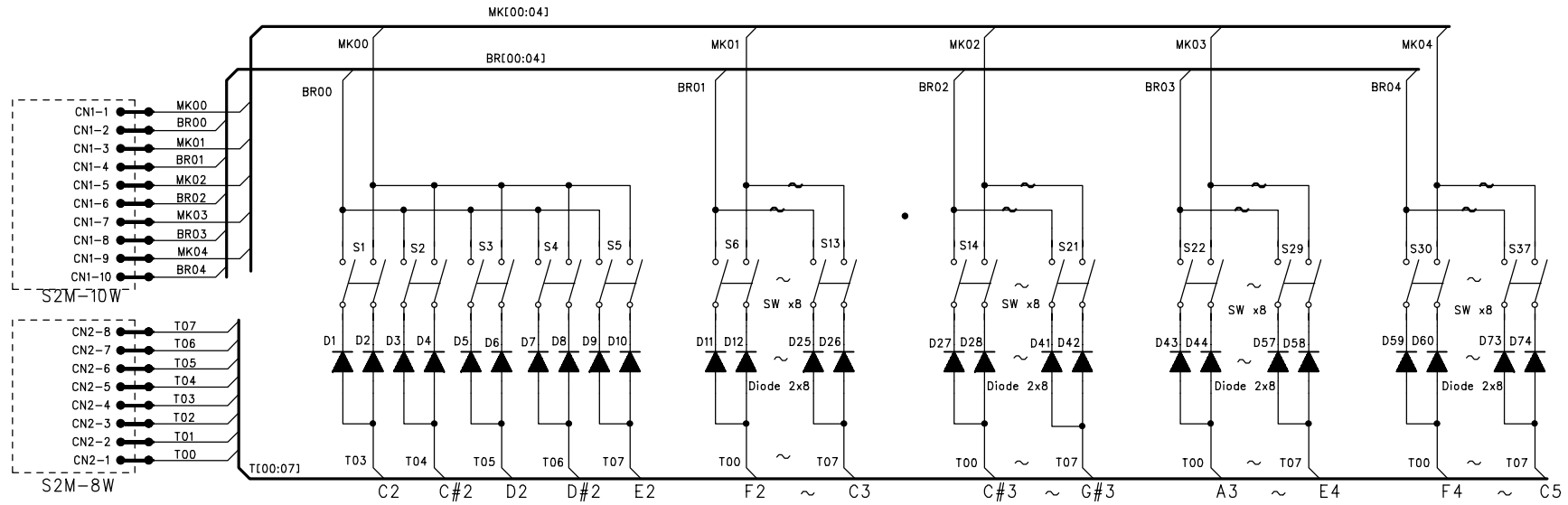


△			
△			
△			
△			
△			
MARK	REVISION REASON	DATE	REVISED BY

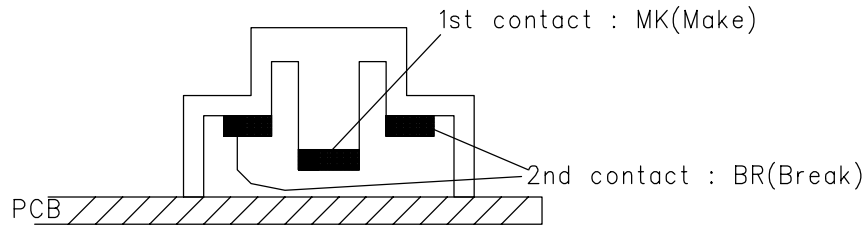
—> SIGNAL LINE
 —▷ SERIAL LINE
 —▶ AUDIO LINE

DRAWN BY	CHECKED BY	CHECKED BY	MODEL	X-1110 (microKORG)
K.Asami			TITLE	BLOCK DIAGRAM
KORG		DRAWING NO.	KOD-B40245	DATE '02.08.28

37key mini-Keyboard



Rubber Switch



MARK	REVISION REASON	DATE	REVISED BY
△			
△			
△			
△			

DRAWN & DESIGNED BY	CHECKED BY	CHECKED BY	MODEL	KM-37F
			TITLE	KORG Mini Keyboard 37 Key with Tough Response
KORG		DRAWING NO.	KOD-A40530	DATE

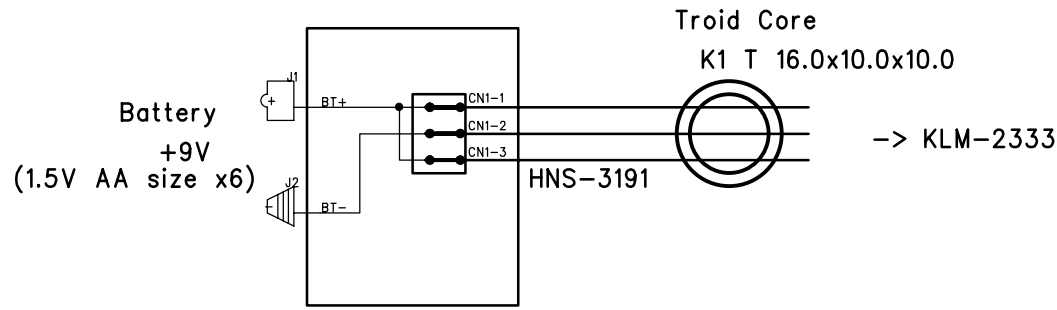
A B C D E F G H

1

2

3

4

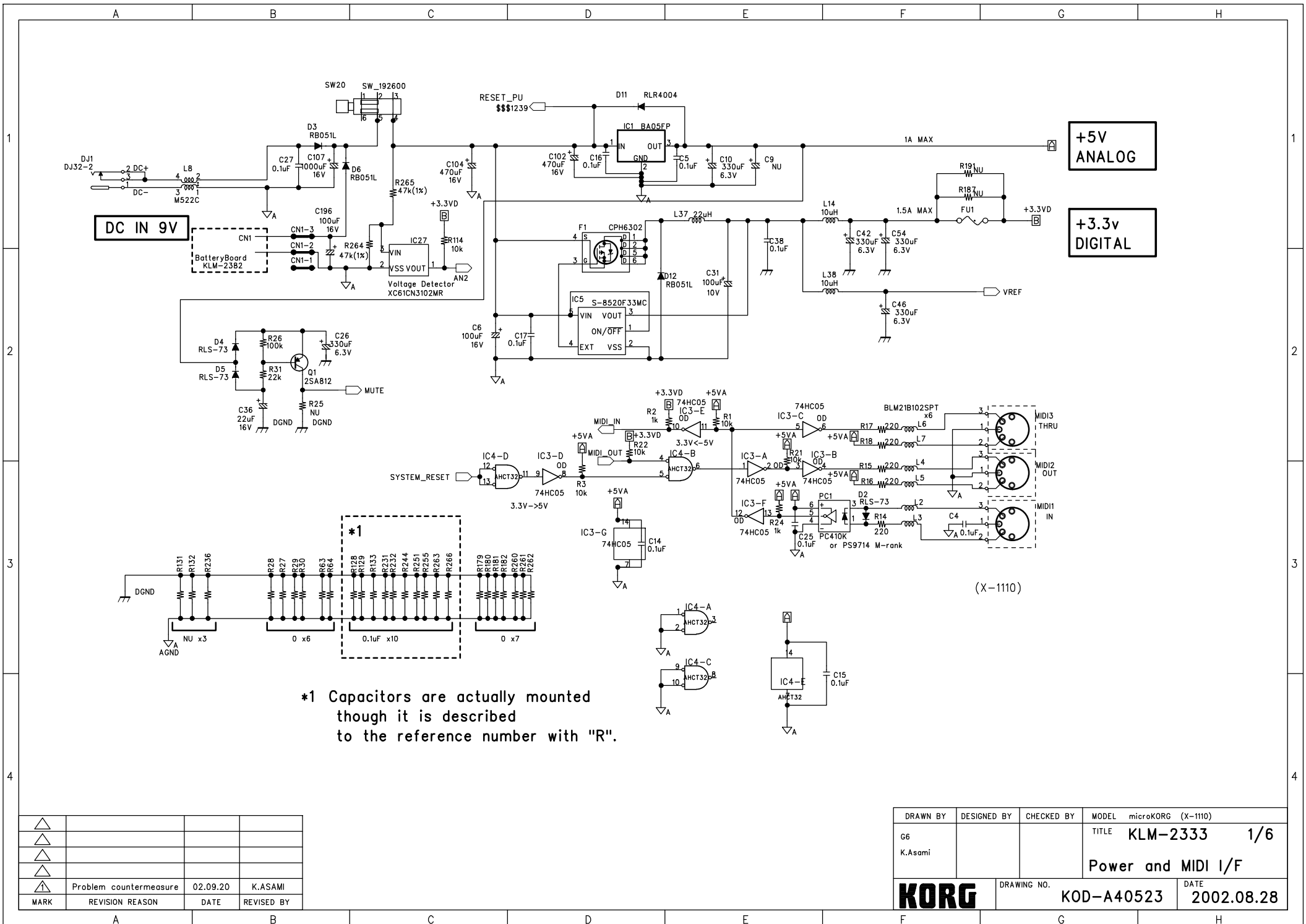


* 8 sheets 1 pair

△			
△			
△			
△			
△			
MARK	REVISION REASON	DATE	REVISED BY

DRAWN BY	DESIGNED BY	CHECKED BY	MODEL microKORG (X-1110)
G6			TITLE KLM-2382 1/1
K.Asami			BATTERY ADAPTER
KORG		DRAWING NO. KOD-A40529	DATE 2002.08.27

A B C D E F G H



DC IN 9V

+5V ANALOG

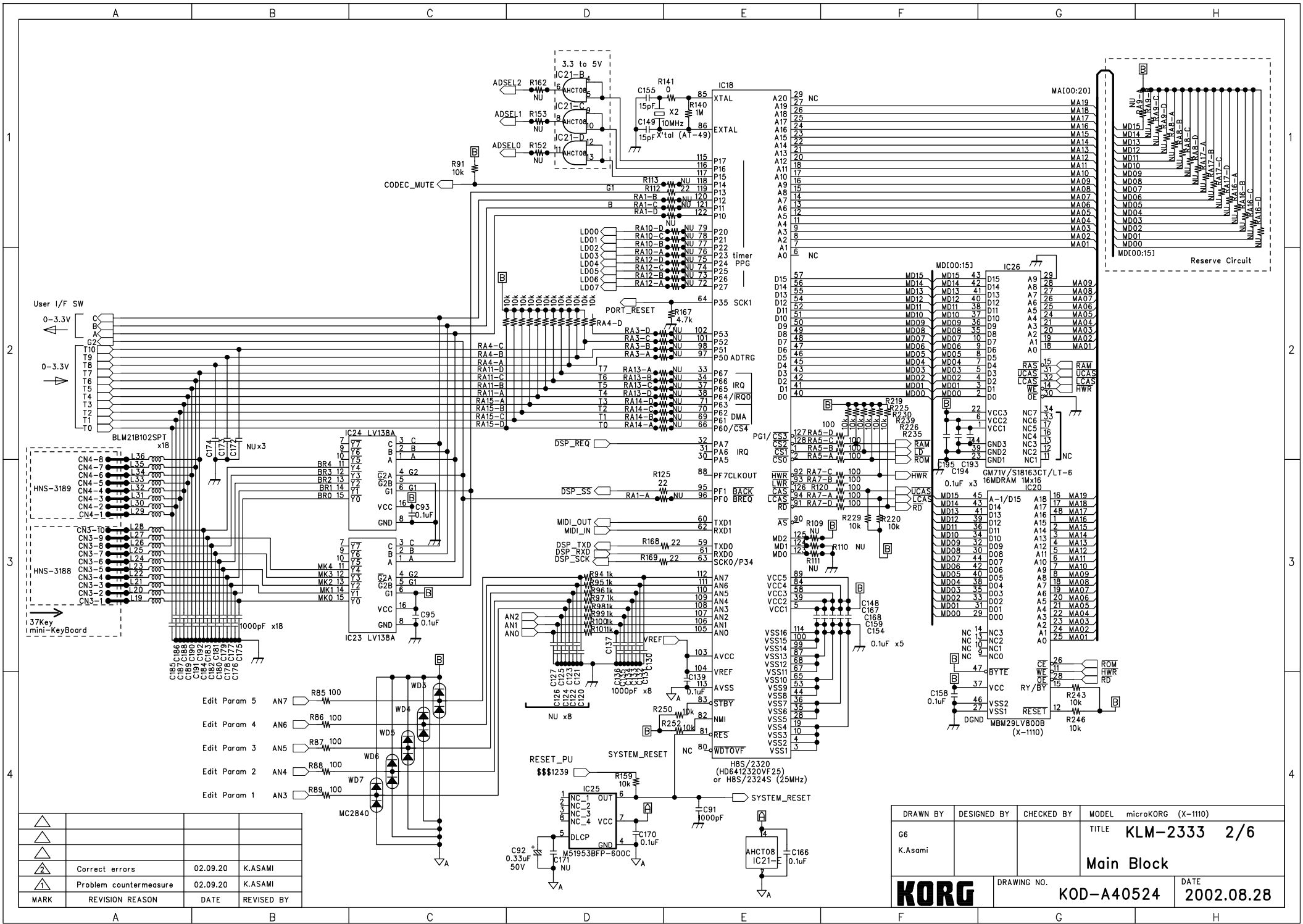
+3.3v DIGITAL

*1 Capacitors are actually mounted though it is described to the reference number with "R".

△			
△			
△			
△	Problem countermeasure	02.09.20	K.ASAMI
MARK	REVISION REASON	DATE	REVISED BY

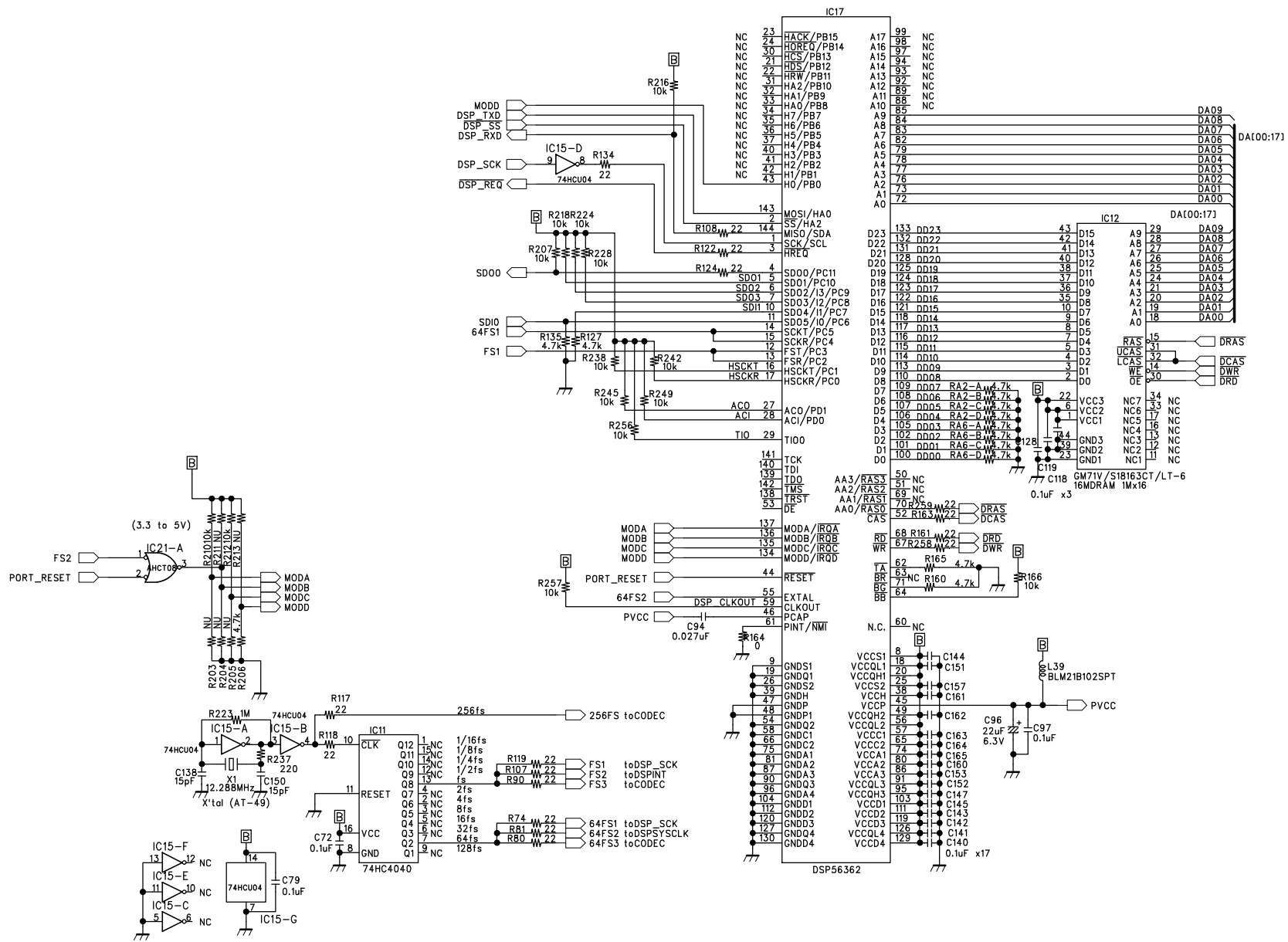
DRAWN BY	DESIGNED BY	CHECKED BY	MODEL microKORG (X-1110)
G6			TITLE KLM-2333 1/6
K.Asami			Power and MIDI I/F
DRAWING NO. KOD-A40523		DATE 2002.08.28	





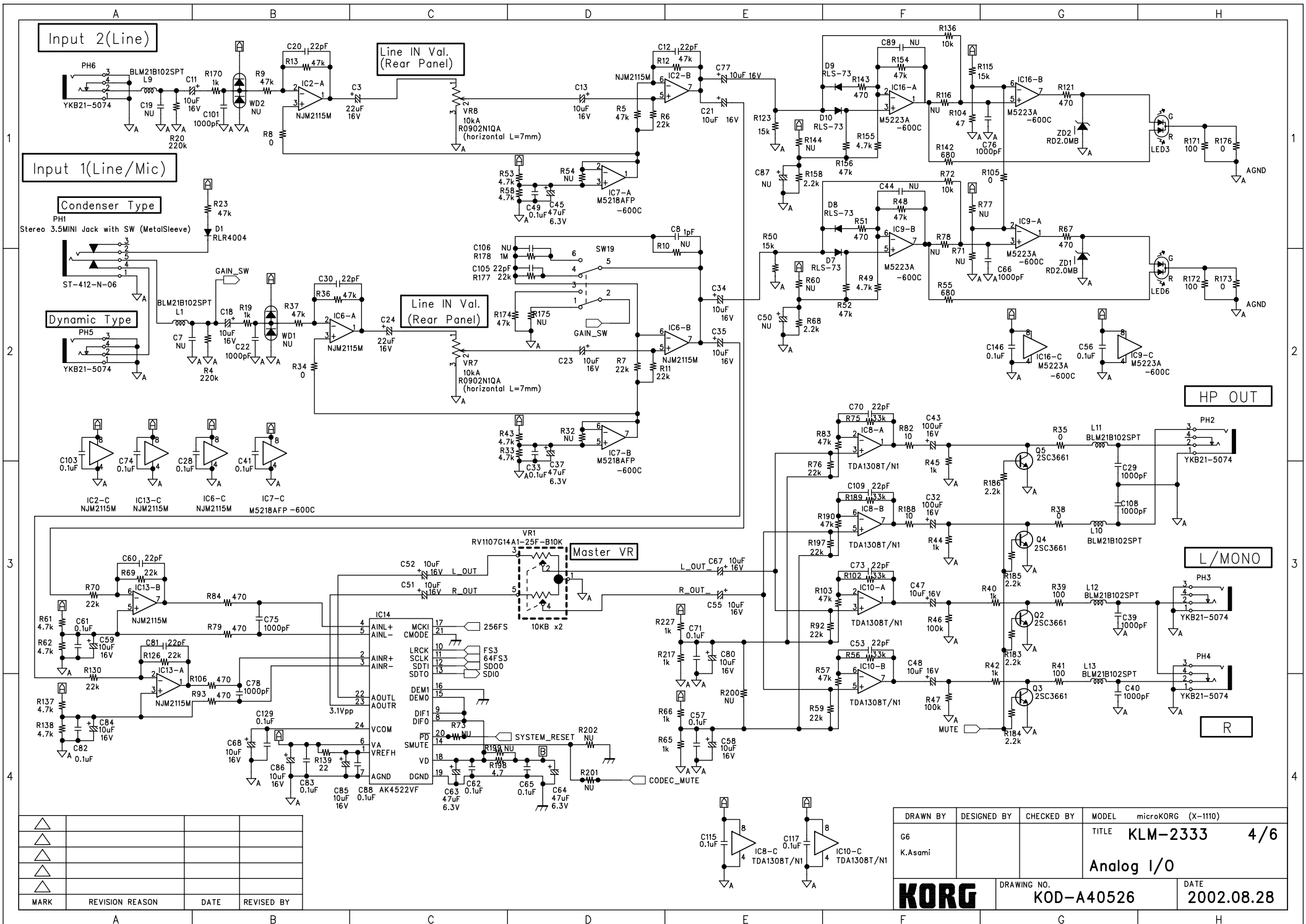
MARK	REVISION	REASON	DATE	REVISED BY
△				
△				
△				
△	Correct errors		02.09.20	K.ASAMI
△	Problem countermeasure		02.09.20	K.ASAMI

DRAWN BY	DESIGNED BY	CHECKED BY	MODEL	microKORG (X-1110)
G6			TITLE	KLM-2333 2/6
K.Asami			Main Block	
KORG		DRAWING NO.	KOD-A40524	DATE
				2002.08.28



MARK	REVISION REASON	DATE	REVISED BY
△			
△			
△			
△			

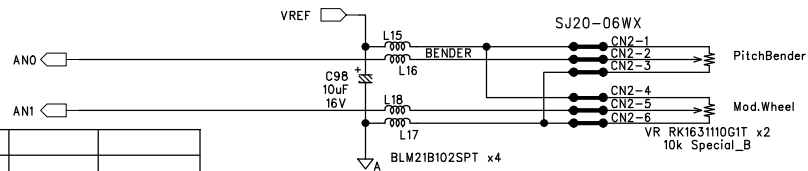
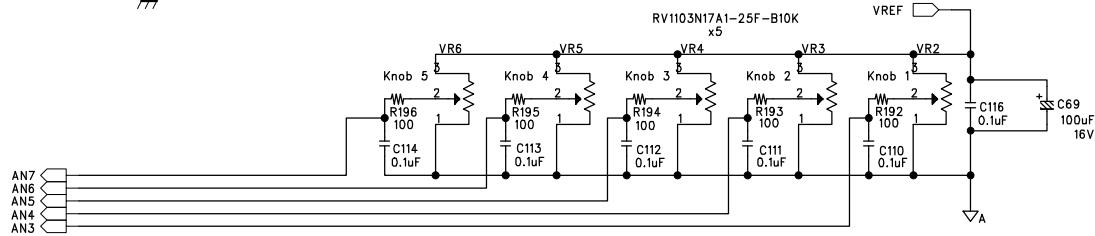
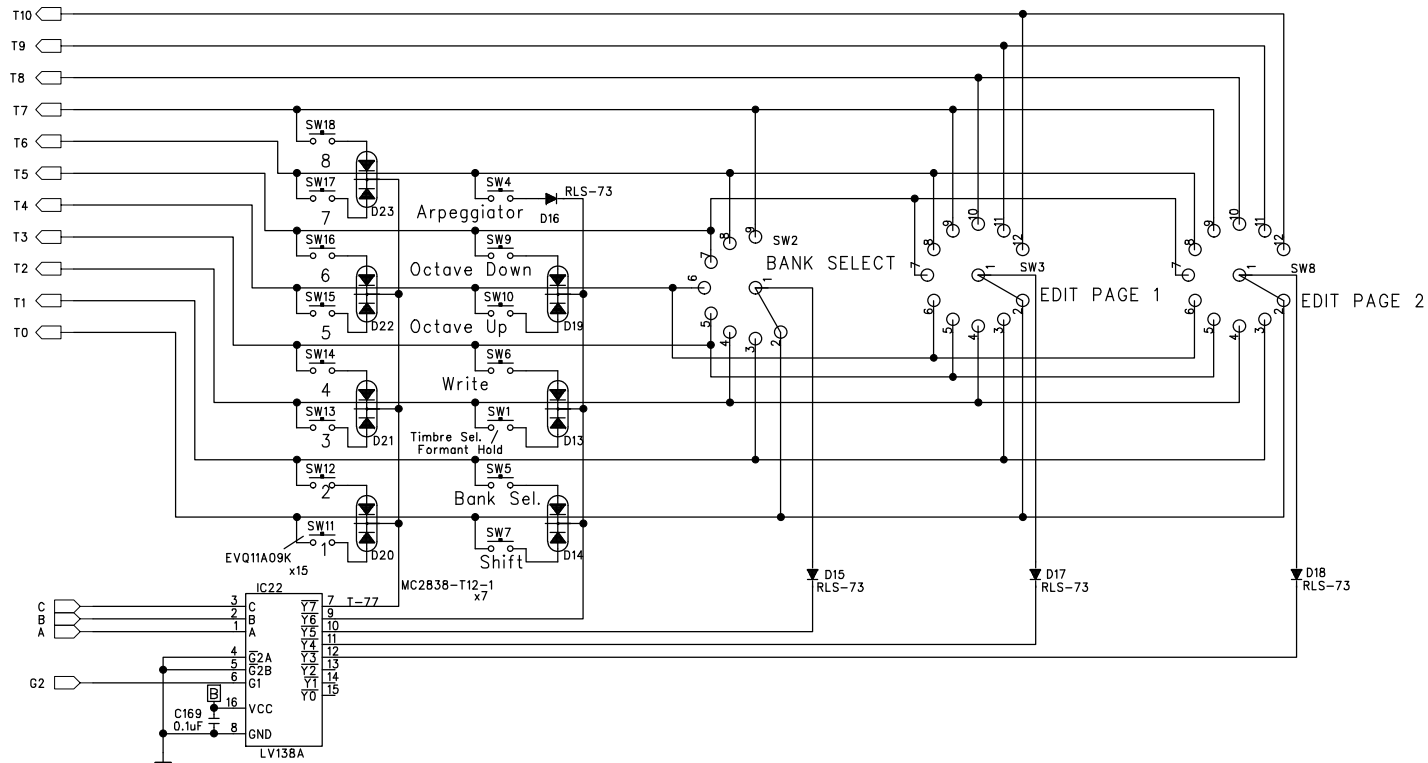
DRAWN BY	DESIGNED BY	CHECKED BY	MODEL microKORG (X-1110)
G6			TITLE KLM-2333 3/6
K.Asami			DSP Block
KORG		DRAWING NO. KOD-A40525	DATE 2002.08.28



MARK	REVISION	REASON	DATE	REVISED BY

DRAWN BY	DESIGNED BY	CHECKED BY	MODEL	microKORG (X-1110)
G6	K.Asami		TITLE	KLM-2333 4/6
			Analog I/O	
DRAWING NO.			DATE	
KOD-A40526			2002.08.28	

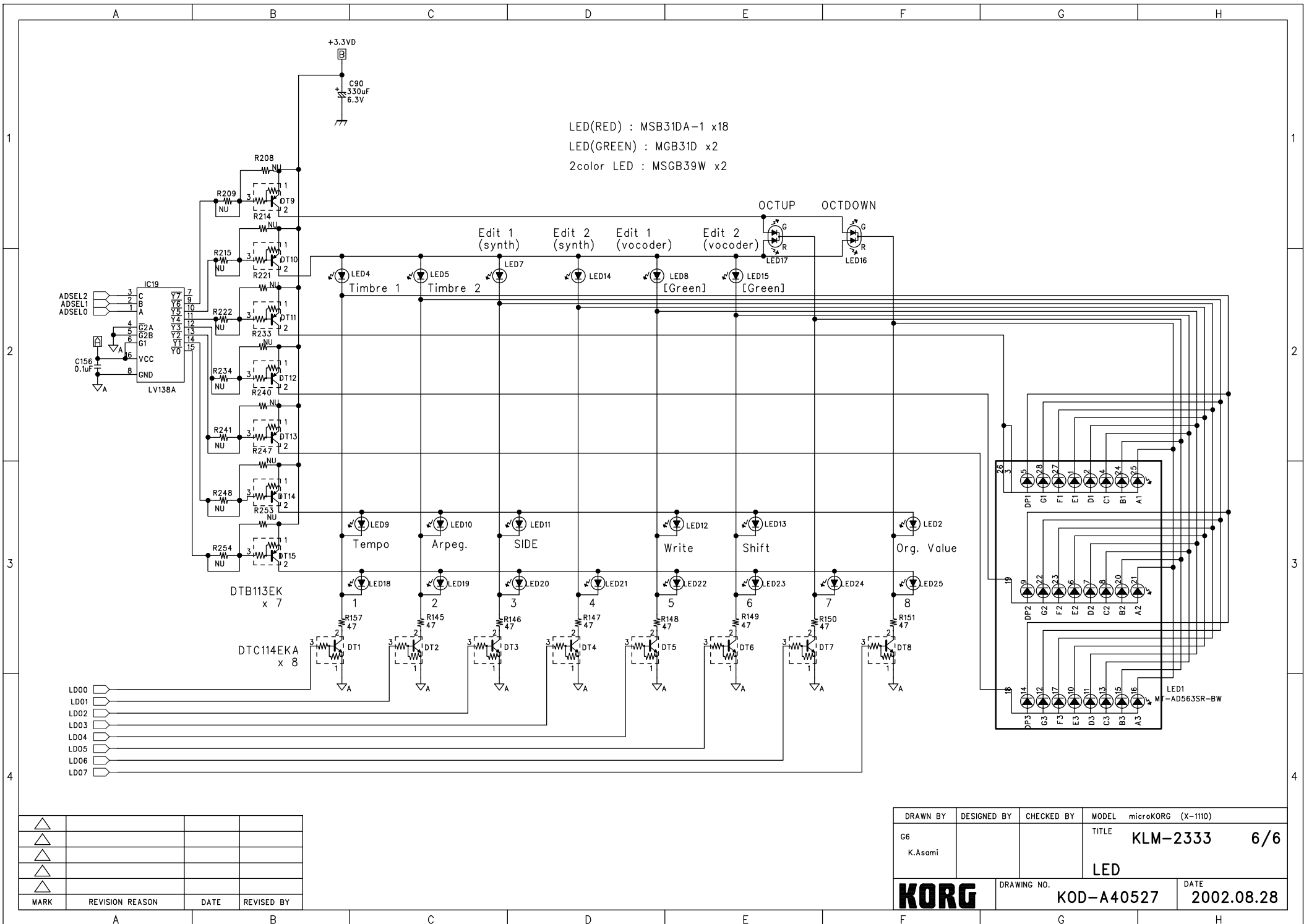




MARK	REVISION REASON	DATE	REVISED BY
△			
△			
△			
△			

DRAWN BY	DESIGNED BY	CHECKED BY	MODEL microKORG (X-1110)
G6			TITLE KLM-2333 5/6
K.Asami			Controllers
DRAWING NO. KOD-A40528		DATE 2002.08.28	





LED(RED) : MSB31DA-1 x18
 LED(GREEN) : MGB31D x2
 2color LED : MSGB39W x2

DRAWN BY	DESIGNED BY	CHECKED BY	MODEL microKORG (X-1110)
G6	K.Asami		TITLE KLM-2333 6/6
			LED
DRAWING NO. KOD-A40527		DATE 2002.08.28	

MARK	REVISION REASON	DATE	REVISED BY
△			
△			
△			
△			

microKORG Test Mode

How to start the test mode:

- Auto Mode [1] + [3] & [POWER ON] : Full test except MIDI Loop
- Mode1 [WRITE] + [1] & [POWER ON] : Full test (Auto) = Auto Mode
- Mode2 [WRITE] + [2] & [POWER ON] : External Test (Auto)
- Mode3 [WRITE] + [3] & [POWER ON] : Full test (Manual)
- Mode4 [WRITE] + [4] & [POWER ON] : External Test (Manual)
- Mode5 [WRITE] + [5] & [POWER ON] : Return to the normal mode after preloading
- Mode6 [WRITE] + [6] & [POWER ON] : Version (ROM Number) Display
- Mode7 [WRITE] + [7] & [POWER ON] : Wheel Calibration
- Mode8 [WRITE] + [8] & [POWER ON] : Pass

How to operate the test mode:

- * [UP] ITEM UP
- * [DOWN] ITEM DOWN
- * [8] STEP UP
- * [7] STEP DOWN
- * [1]+[8] INTERNAL ERROR SKIP

Press [8] to proceed the test mode.

NOTE:

- Do NOT power off during the internal test by all means.
- Execute the wheel calibration, after re-assembling the unit.

END

PART CODE	PART NAME	NOTE	Q'TY
001233300	PCB ASSY KLM-2333 MICRO KORG	M.PART	1
001238200	PCB ASSY KLM-2382 MICRO KORG	M.PART	1
304000110	TR 2SA812	KLM-2333	1
304020230	TR 2SC3661-TA/TB	KLM-2333	4
304060250	FET CPH6302-TL	KLM-2333	1
312053000	LED MSGB39W (RED/GREEN)	KLM-2333	4
314001400	DIODE RLS-73	KLM-2333	11
314029700	DIODE RLR4004	KLM-2333	2
314030700	SCHOTTKY DIODE RB05L-40	KLM-2333	3
314030900	ZENER DIODE RD2.0M	KLM-2333	2
315000500	DOUBLE DIODE MC-2840-T12-1	KLM-2333	5
315000600	DOUBLE DIODE MC-2838-T12-1	KLM-2333	7
320004686	IC HD6412320VF25(D12320VF25)	KLM-2333	1
320012313	IC MBM29LV800BA-90PFTN(X1110)	KLM-2333	1
320020206	IC DSPB56362PV100(S)	KLM-2333	1
324007002	IC BA-10358F-E2	KLM-2333	2
324007005	IC BA05FP 5V/1A	KLM-2333	1
324009019	IC NJM2115M	KLM-2333	3
324011012	IC M51953BFP-600C	KLM-2333	1
324011017	IC M5218AFP-600C	KLM-2333	1
324018006	IC AK4522-VF-E2(TS)	KLM-2333	1
324021019	IC SN74AHCT32PWR	KLM-2333	1
324021020	IC SN74AHCT08PWR	KLM-2333	1
324021022	IC SN74HC4040APWR	KLM-2333	1
324021023	IC SN74HCU04APWR	KLM-2333	1
324021108	IC SN74LV138APWR	KLM-2333	4
324021114	IC SN74LV05APWR (TS)	KLM-2333	1
324023008	IC S-8520F33MC-BNS-T2	KLM-2333	1
324027007	IC GM71V18163CT-6 (TS)	KLM-2333	2
324038005	IC TDA1308T/N1	KLM-2333	2
334000600	PHOTO COUPLER PC410K	KLM-2333	1
335012000	X'TAL HC-49US 12.288MHZ	KLM-2333	1
362009028	VR RK1631110G1T 10KB(SPECIAL)	KLM-2333	2
375010500	TOUCH SW EVQPAC09K	KLM-2333	15
375014900	PSW SPUN192600	KLM-2333	1
404000500	INDUCTOR BLM21B102SPT	KLM-2333	35
405012000	AC ADAPTOR KA-181 DC9V 600MA	M.PART 100J	P 1
405012100	AC ADAPTOR KA-183 DC9V/600MA	M.PART 117E	X 1
405012100	AC ADAPTOR KA-183 DC9V/600MA	M.PART 117C	N 1
405012100	AC ADAPTOR KA-183 DC9V/600MA	M.PART 117U	S 1
405012200	AC ADAPTOR KA-189 DC9V 600MA	M.PART 230F	R 1
405012200	AC ADAPTOR KA-189 DC9V 600MA	M.PART 230G	E 1
405012200	AC ADAPTOR KA-189 DC9V 600MA	M.PART 230W	G 1
405012300	AC ADAPTOR KA-186 DC9V 600MA	M.PART 230U	K 1
420006800	37KEY MINI KEYBOARD KM-37	KLM-2333	1
454012700	DC JACK DJ32-2	KLM-2333	1
454012709	DIN JACK DS-05-02(W/OUT SW)	KLM-2333	3

PART CODE	PART NAME	NOTE	Q'TY
620018200	PSW KNOB KOC-E40224-1	M.PART	1
*313X111000	3 DIGIT NUMERIC LED MT-AD563SR	KLM-2333	1
*315X111008	LED MGB31D (GREEN)	KLM-2333	2
*315X150003	LED MSB31DA-1 (RED)	KLM-2333	18
*324X111011	IC XC61CN3102MR	KLM-2333	1
*335X111001	X'TAL HC-49US 10.000MHZ	KLM-2333	1
*362X111000	VR RV1103N1-25KQ-B10K (10KB)	KLM-2333	5
*362X111001	VR R0902N1-20FA2-10KA (10KA)	KLM-2333	2
*362X111002	VR RV1107G1-25KQ-B10K (10KBX2)	KLM-2333	1
*373X150000	SLIDE SW SK-22D06G8	KLM-2333	1
*375X111001	ROTARY SW SR2512-0111-15FOA-C9	KLM-2333	2
*375X111002	ROTARY SW SR2512-0108-15FOA-C9	KLM-2333	1
*402X111000	CONDENSOR MIC EM-197K	M.PART	1
*404X040001	CHIP INDUCTOR C6-K3.0L 10UH	KLM-2333	2
*405X111001	CHIP INDUCTOR C13-K4.5L 22UH	KLM-2333	1
*405X111003	TROID CORE K1 T 16.0X10.0X10.0	KLM-2382	1
*454X040002	STEREO MINI JACK ST-412-N-06	KLM-2333	1
*454X111001	PHONE JACK PJ-603	KLM-2333	5
*470X111000	WAFER FOR PH CONNECTOR S2M-3W	KLM-2333	1
*470X111001	WAFER FOR PH CONNECTOR S2M-6W	KLM-2333	1
*475X111000	HARNESS HNS-3188	KLM-2333	1
*475X111001	HARNESS HNS-3189	KLM-2333	1
*475X111002	HARNESS HNS-3190	KLM-2333	1
*475X111003	HARNESS HNS-3191	KLM-2382	1
*475X111004	HARNESS HNS-3210	KLM-2333	1
*620X111000	X-1110 DIFFUSE KEY KOC-E30290	M.PART	15
*620X111001	X-1110 WHEEL KNOB KOC-E30289	M.PART	2
*620X111002	X-1110 EDIT KNOB CF-X5-T18	M.PART	6
*620X111003	X-1110 SELECT KNOB 41009-3	M.PART	2
*620X111004	X-1110 ROTARY KNOB KOC-E40553	M.PART	1
*630X111000	X-1110 LED WINDOW KOC-E40554	M.PART	1
*641X111000	X-1110 PANEL KOC-C30588	M.PART	1
*641X111001	X-1110 JACK PLATE KOC-C30587	M.PART	1
*641X111002	X-1110 WHEEL ANGLE KOC-C41269	M.PART	2
*641X111003	X-1110 SIDE ANGLE KOC-C41268	M.PART	2
*644X111000	X-1110 BATTERY SPRING (W)	M.PART	5
*644X111001	X-1110 BATTERY SPRING (+)	M.PART	1
*644X111002	X-1110 BATTERY SPRING (-)	M.PART	1
*644X111003	X-1110 WHEEL SPRING C41278	M.PART	1
*645X111000	X-1110 SIDE BOARD R D30252-1	M.PART	1
*645X111001	X-1110 SIDE BOARD L D30252-2	M.PART	1
*646X111000	X-1110 UPPER CASE KOC-E10204	M.PART	1
*646X111001	X-1110 LOWER CASE KOC-E10205	M.PART	1
*646X111002	X-1110 BATTERY COVER E30288	M.PART	1
*790X111000	HEXGON SOCKET SCREW BZMC 3X8	M.PART	4